

Possible applications include :



Swinging gates

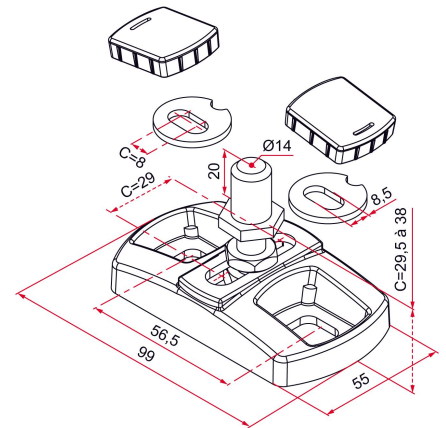


Features

- Adaptable: pivot available in 2 diameters to fit standard market diameters
- Adjustable: on the X axis (oblong for gap adjustment between gate and pillar), Y axis (screw-in and screw-out pivot for adjusting the gate to the required height) and Z axis (eccentric washer for easy adjustment when fastening to the ground)
- Aesthetic design : screw covers for non-visible fastening
- Lacquerable: can be customised to match the gate colour 304 stainless steel body 304 stainless steel pivot

Tip

- Composite screw covers are the same colour as the base, except for the multi-RAL, which is delivered with black screw covers.



Possible applications include :



Swinging gates



Products to be ordered from :
TIRARD SAS 16, Avenue du Vimeu Vert Z.A. du Vimeu Industriel 80210
FEUQUIERES-EN-VIMEU
email : commande@tirard-burgaud.com




Stainless steel adjustable one-piece bottom hinge with screw cover - Ø14

Possible applications include :



Swinging gates



Référence	Finishing stage	GENCOD 3661598	Condit. par	Délai j
GDN005N5FT	9005-fine texture	05383 9	20	14
GDN005B6FT	9016-fine texture	05384 6	20	14
GDN005G6FT	7016-fine texture	05385 3	20	7
GDN005	raw	05382 2	20	7
GDN005RAL		05386 0	1	21

 Multi-RAL : specify your color when placing the order (<https://www.couleursral.fr/ral-classic>)