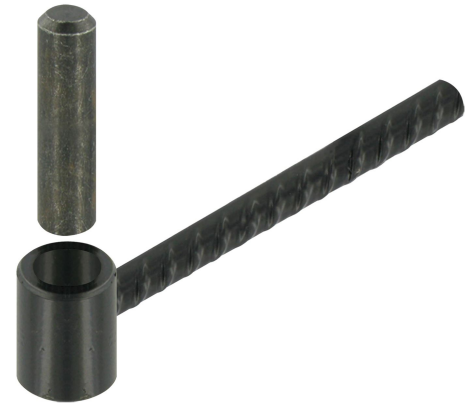


Possible applications include :



Wooden swing shutters



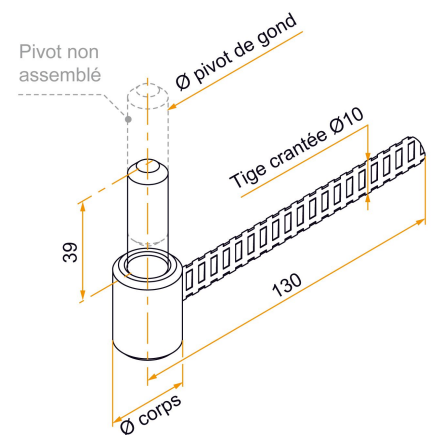
Features

- Made of steel
- Zn hinge body on all models for increased corrosion resistance
- Notched steel wire rod with: a chemical composition allowing for a robust and Aesthetic design weld between the rod and the hinge body
- High mechanical strength (Rm)



Tip

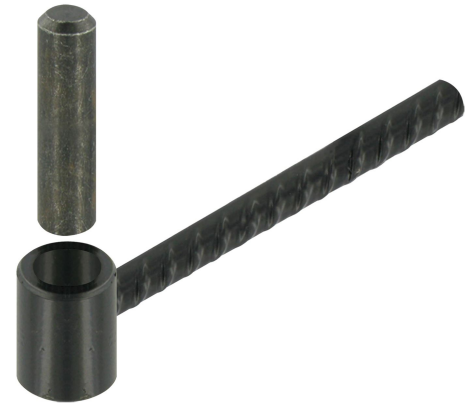
- For drilling templates, please refer to the index.



Possible applications include :



Wooden swing shutters



Référence	Ø hinge pivot	Ø body	Finishing stage	GENCOD 3565920	Condit. par	Délai j
GDA003N53	14	24	9005-30%	20259 2	25	14
GDA003Z53	14	24	Zn+9005-30%	20989 8	25	14
GDA003Z68	14	24	Zn+9016-80%	20990 4	25	21
GDA003ZB	14	24	Zn	20258 5	25	14
GDA004N53	16	26	9005-30%	20261 5	25	14
GDA004Z53	16	26	Zn+9005-30%	21970 5	25	21
GDA004ZB	16	26	Zn	20260 8	25	21

Multi-RAL : specify your color when placing the order (<https://www.couleursral.fr/ral-classic>)