

Possible applications include :

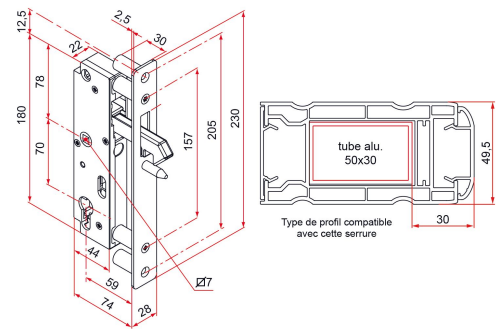


Sliding gates



Features

- Composite lock case
- 304 stainless steel faceplate



Products to be ordered from :
 TIRARD SAS 16, Avenue du Vimeu Vert Z.A. du Vimeu Industriel 80210
 FEUQUIERES-EN-VIMEU
 email : commande@tirard-burgaud.com



Mortice lock with zamac lifting bolt - 59mm axis - square faceplate - GK

Possible applications include :



Sliding gates



Référence	Square spindle bar	AT00000085	GENCOD 3661598	Condit. par	Délai j
GK401230	7	brush	04700 5	1	7

 Multi-RAL : specify your color when placing the order (<https://www.couleursral.fr/ral-classic>)