

Possible applications include :

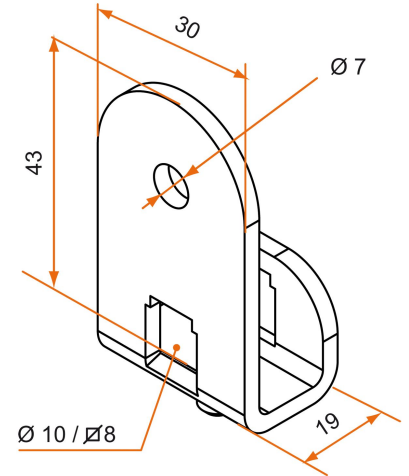


Wooden swing shutters



Features

- Made of steel.
- Suitable with Ø10 rod and 8mm spindle bar rod.



Products to be ordered from :
 BURGAUD SAS 147, rue des Paludiers Z.I. des Mares 85270 SAINT-HILAIRE-DE-RIEZ
 email : commande@tirard-burgaud.com

Possible applications include :



Wooden swing shutters



Référence	Finishing stage	GENCOD 3565920	Condit. par	Délai j
1AR92012	9005-30%	18641 0	100	21
1AR92013	Zn+9005-30%	18642 7	100	21
1AR91003	Zn+9016-80%	18643 4	100	21
1AR13003	Zn black	18648 9	100	14
1AR12009	Zn	18645 8	100	14

 Multi-RAL : specify your color when placing the order (<https://www.couleursral.fr/ral-classic>)