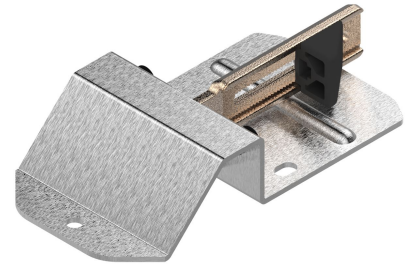


Possible applications include :



Swinging gates



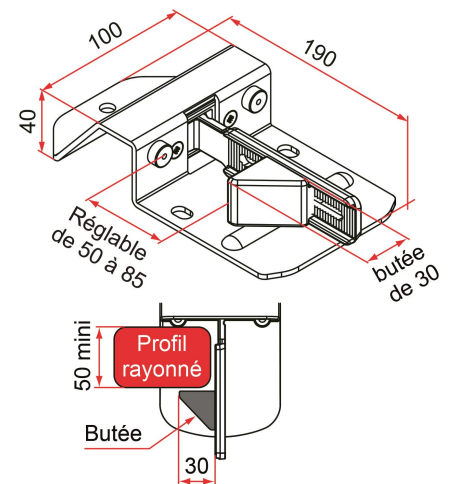
## Features

- 40 mm height stainless steel soleplate, to screw-in or seal-in (with seal-in brackets not included).
- Cupro-aluminium arm.
- Composite end stop.



### Tip

- The 30 mm end stop has been specifically developed for profiles with a radius.



Products to be ordered from :  
 TIRARD SAS 16, Avenue du Vimeu Vert Z.A. du Vimeu Industriel 80210  
 FEUQUIERES-EN-VIMEU  
 email : [commande@tirard-burgaud.com](mailto:commande@tirard-burgaud.com)

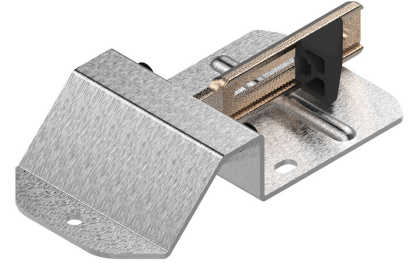


# Stainless steel automatic ground-stop with 30mm end-stop

Possible applications include :



Swinging gates



Référence	Finishing stage	GENCOD 3661598	Condit. par	Délai j
QA401602	brush	04050 1	6	7

 Multi-RAL : specify your color when placing the order (<https://www.couleursral.fr/ral-classic>)