

Possible applications include :

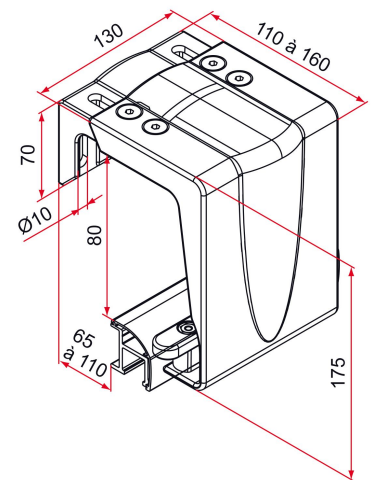


Sliding gates



Features

- Made of aluminium
- For pillar fastening
- With self-adjusting composite slide guide roller




Products to be ordered from :
 TIRARD SAS 16, Avenue du Vimeu Vert Z.A. du Vimeu Industriel 80210
 FEUQUIERES-EN-VIMEU
 email : commande@tirard-burgaud.com

Possible applications include :



Sliding gates



Référence	Finishing stage	GENCOD 3661598	Condit. par	Délai j
NN392030P	9005-80%	01785 5	2	7
NN391030P	9016-80%	01782 4	2	7
NN390030PSAT	9010-30%	04765 4	2	14
NN390030P	9010-80%	01779 4	2	14
NN325030P	1015-80%	04217 8	2	14
NN3XX030P		01788 6	1	21

 Multi-RAL : specify your color when placing the order (<https://www.couleursral.fr/ral-classic>)