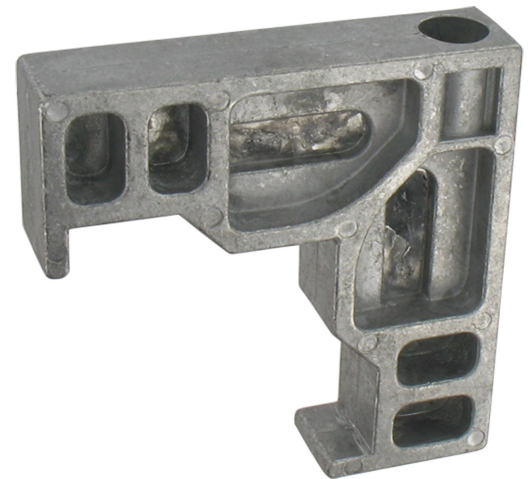


Possible applications include :



Common accessories
for gates



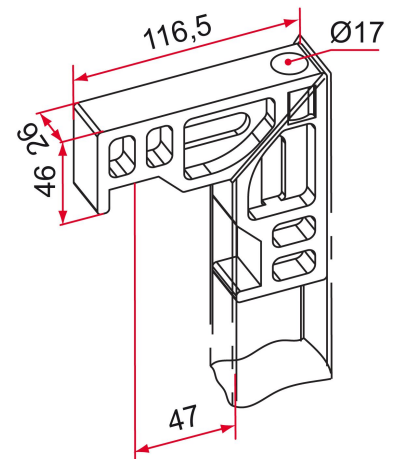
Features

- Made of aluminium.
- Invisible assembly, 45° cut, drilled Ø 17 mm hole to receive a rotating ring (brass or polyacetal).
- Assembly with 2 locking plates (sold separately).
- Drilling axis at 47 mm.



Tip

- To be used with brass or composite ring.

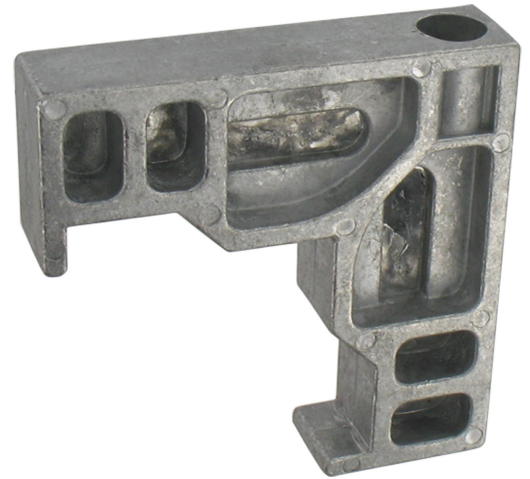


Products to be ordered from :
TIRARD SAS 16, Avenue du Vimeu Vert Z.A. du Vimeu Industriel 80210
FEUQUIERES-EN-VIMEU
email : commande@tirard-burgaud.com

Possible applications include :



Common accessories
for gates



Référence	Finishing stage	GENCOD 3661598	Condit. par	Délai j
LE301003	raw	00641 5	12	7

 Multi-RAL : specify your color when placing the order (<https://www.couleursral.fr/ral-classic>)